












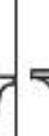








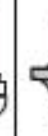







# Solid Surface Materials

## Router Bits for Fabricating Solid Surface Materials

													
#1260	#1540	#1014	#1014	#1072	#1510	#1031	#1040	#1612	#1520	#1612	#1530	#1530	#1530
337	337	338	338	340	340	341	341	341	342	342	342	343	343
													
#1130	#1559	#1553	#1550	#1564	1554	1564	1082	1592	1590	1594	#1621	#1600	#1094
343	344	344	344	345	345	346	346	347	347	347	348	348	349

### Corian, Fountainhead Avonite, etc.

Dimar has developed a world class line of router bits for solid surface materials.

Tools profile produced for such materials provide a complete solution for all applications & profiles in this category.

Tooling's shape & measurements shall comply with the particular processing stages.

Working with a bearing guide: In order to protect the product from harm, the bearings are wrapped in reinforced plastic material, which is molded to the bearing and eliminates a split from the bearing while operating. The bearing shape is determined according to the existing profile of the product.



Advanced Materials



Plastic



Solid Surface Materials



Aluminum



Composites